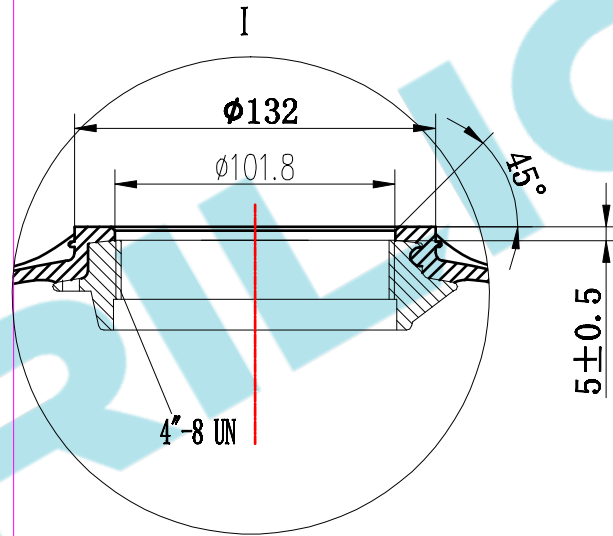


TECHNICAL SPECIFICATION									
MODEL	OPENINGS	VOLUME (Ltrs.)	DOME VOLUME (Ltrs.)	DIMENSIONS (mm)				BASE	WEIGHT OF VESSEL WITH BASE (Kg)
				"D1"	"D"	"H"±6	"F"		
16X52	4" TOP	147.4	20.6	410	414	1312	100	Standard	14.1
16X65	4" TOP	188.2	20.6	410	414	1648	100	Standard	16.3



4"-8UN Internal Thread	
PITCH DIA	3.918-3.930"
MINOR DIA	3.865-3.875"
MAJOR DIA	4-4.010"

NOTES:	
1. TANK MUST MEET ALL APPLICABLE SPECIFICATIONS OF NSF/ANSI 044 STANDARD, LATEST REVISION.	
2. OPERATING SPECIFICATIONS:	
A. MAXIMUM WORKING PRESSURE:	10.5BAR(150PSI)
B. TEMPERATURE RANGE:	1-50°C (34-122°F)
C. MAXIMUM VACUUM:	17kpa (5" Hg)

SIGNATURE					
NAME	DATE				
DESIGN			SCALE 1: 8	MODEL: 16" (4" TOP)	
INSPECTION			QUANTITY	DESCRIPTION FRP	
APPROVAL				PRESSURE VESSEL	
THIS DRAWING CAN NOT BE COPIED AND/OR USED WITHOUT PRIOR WRITTEN APPROVAL OF NOVI			PROJECTION	COMPUTER CODE	VERSION NO.
				NY-TE-DR-SA-IEV-16	1.5
			DO NOT MEASURE THE DIMENSIONS.	UNIT: MM [] INCH	TOTAL PAGE: 1 OF 1